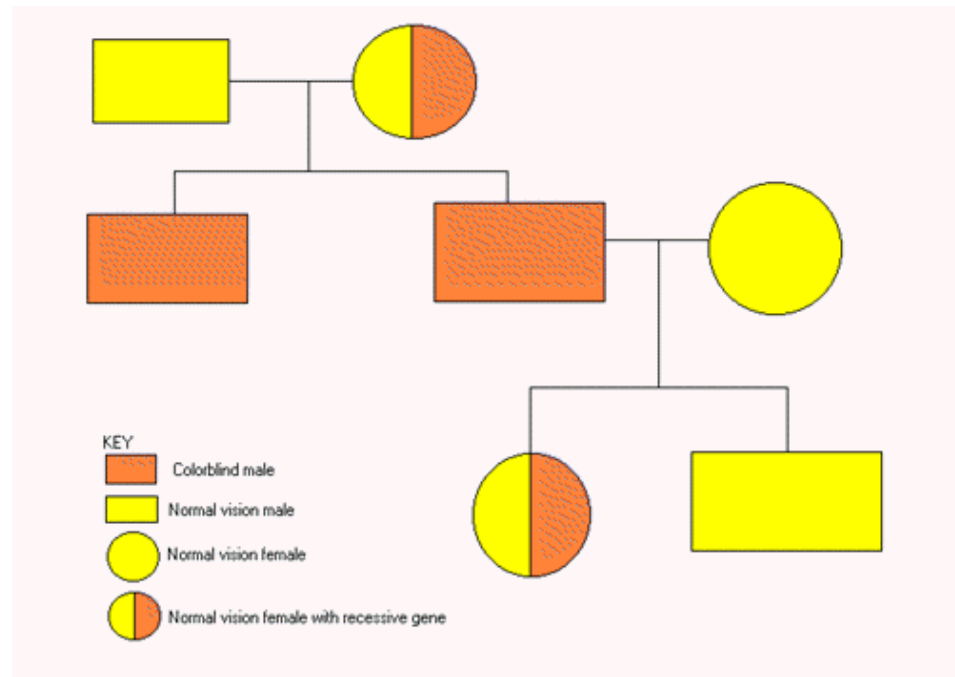


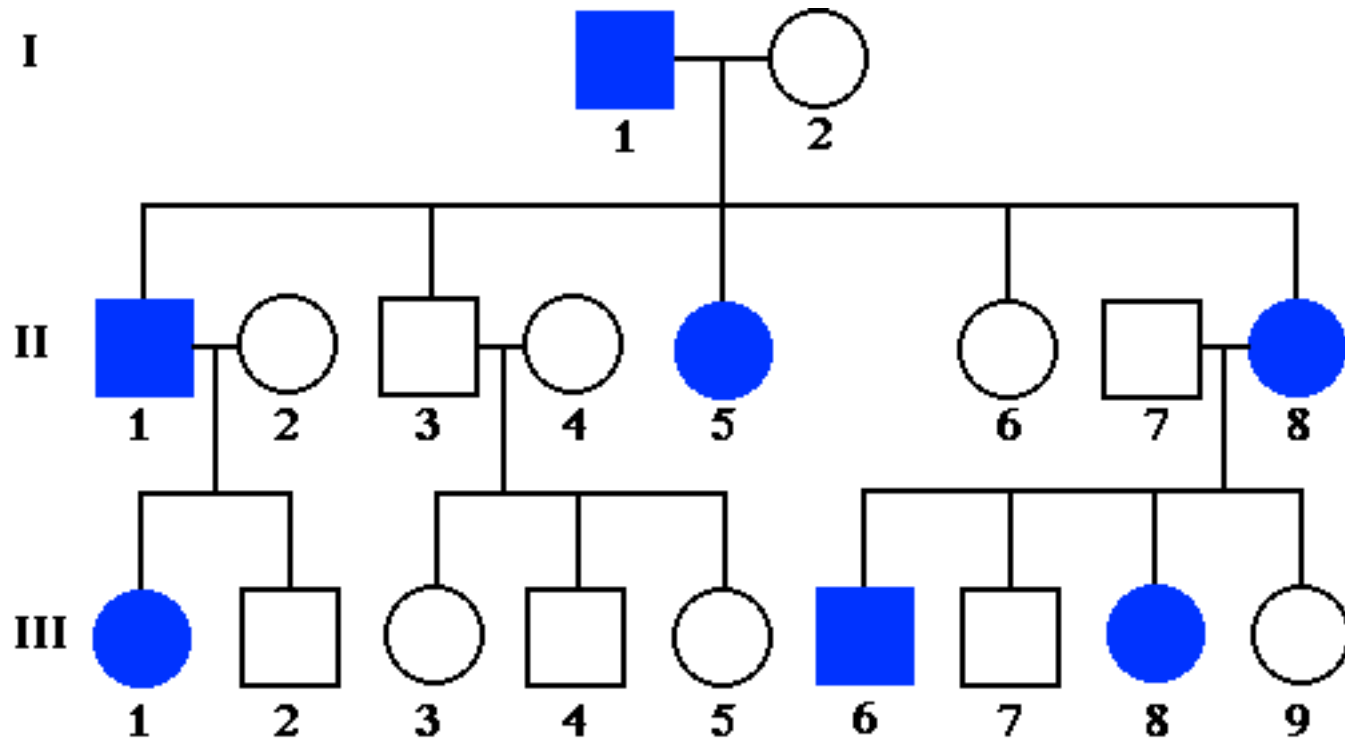
Pedigree Charts



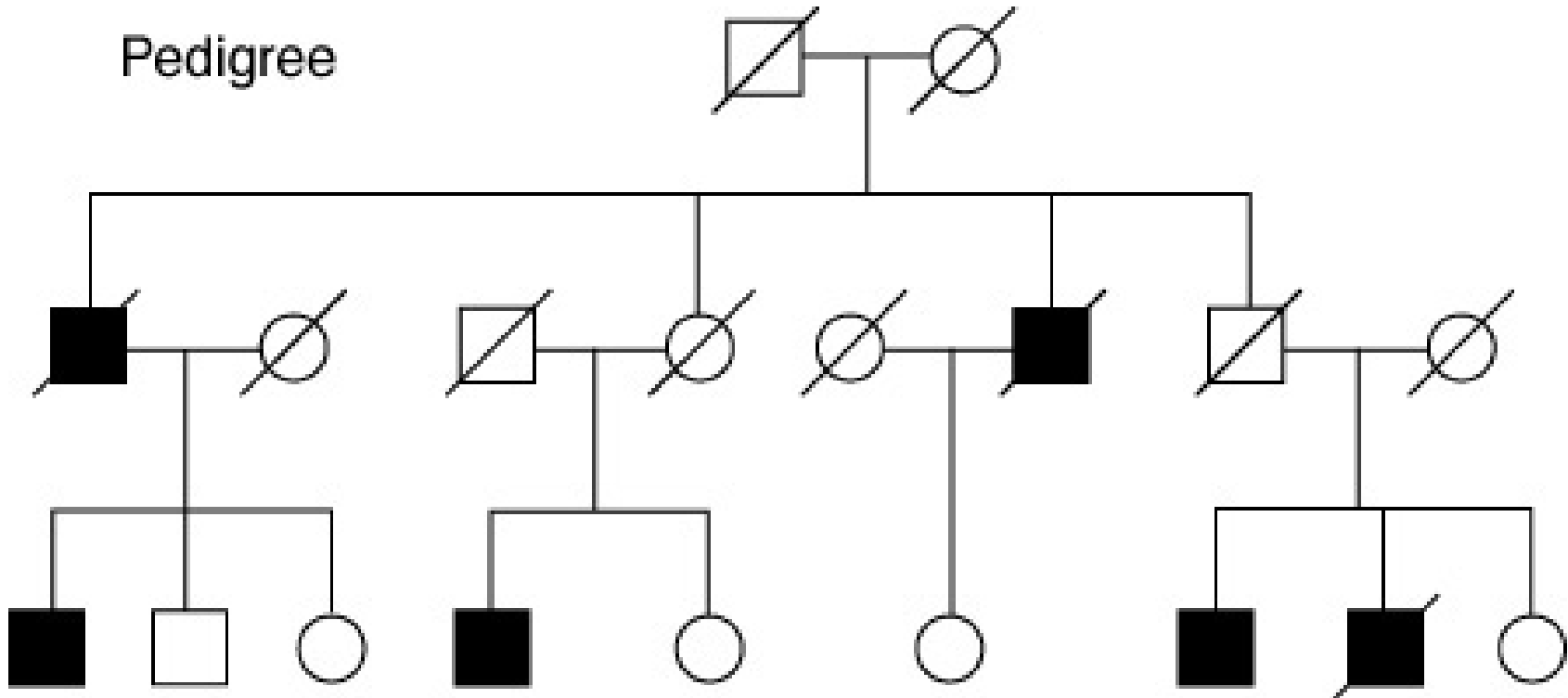
Pedigree Charts

pedigree chart - a diagram that illustrates the genetic relationships among related individuals

pedigree chart - a diagram that illustrates the genetic relationships among related individuals



Pedigree



Key

male	affected male	deceased male
female	affected female	deceased female

pedigree chart - a diagram that illustrates the genetic relationships among related individuals

simple dominant trait - 2 possible alleles

pedigree chart - a diagram that illustrates the genetic relationships among related individuals



simple dominant trait - 2 possible alleles



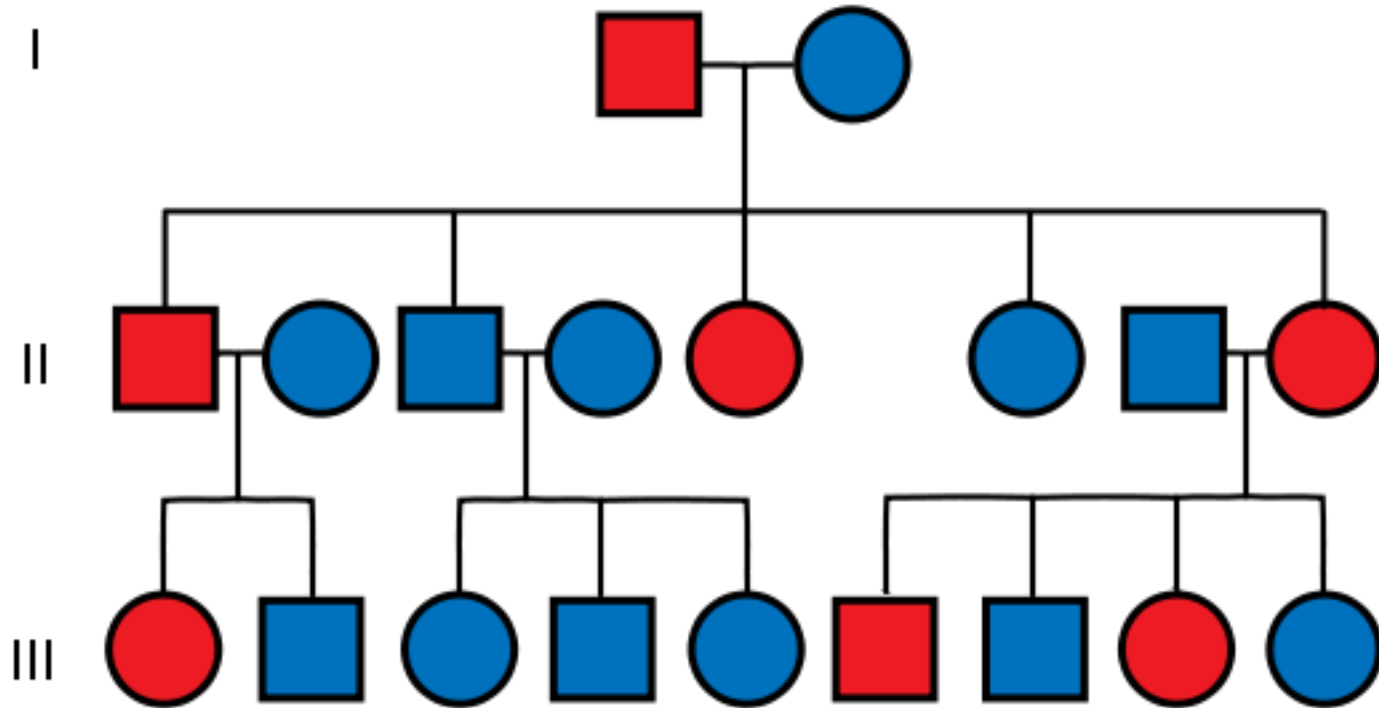
Pedigree Charts

 = Males  = Females

  = person affected by trait

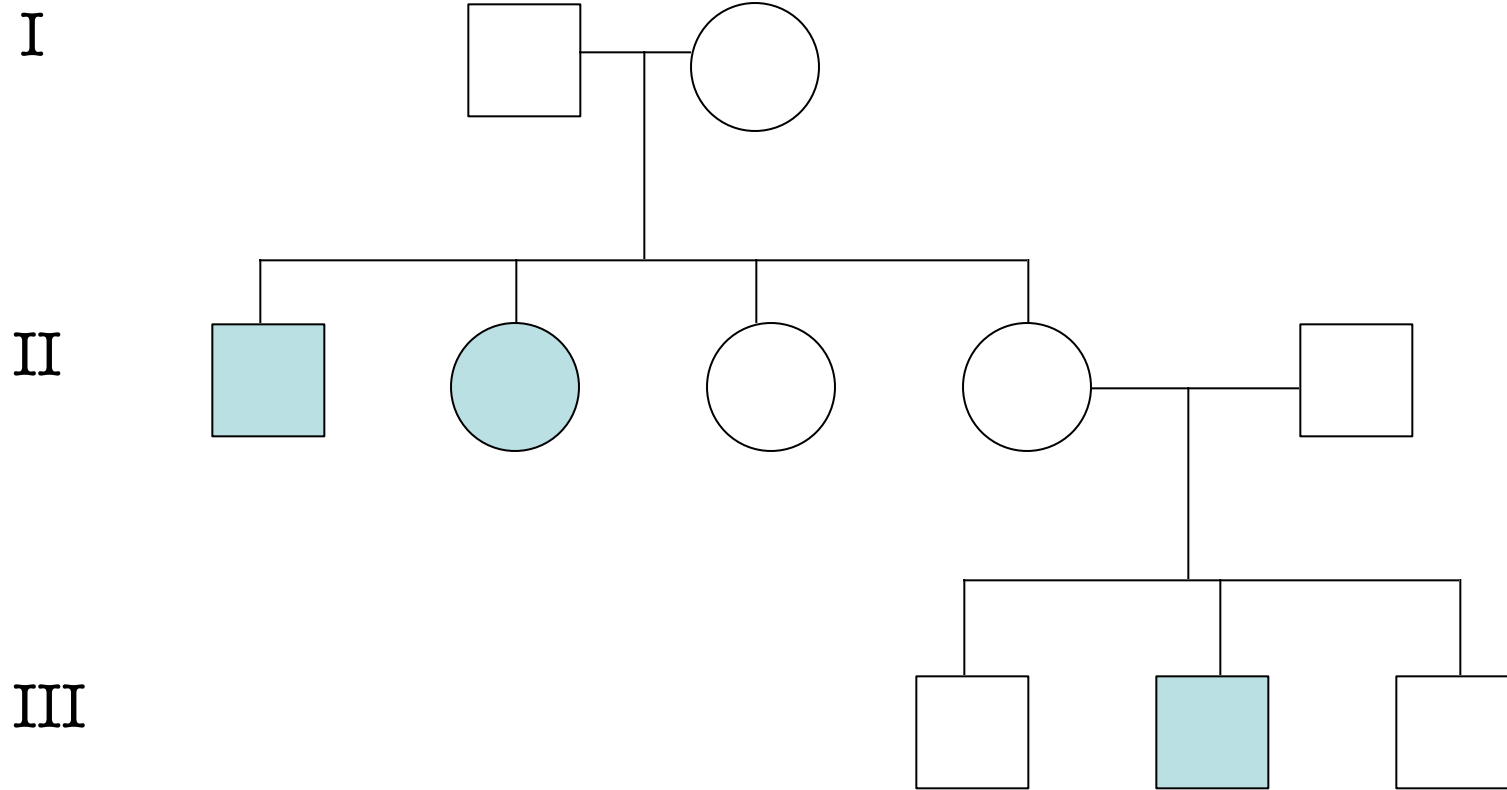
  = heterozygous carrier of the trait
(person who carries the recessive trait but doesn't show the characteristic)

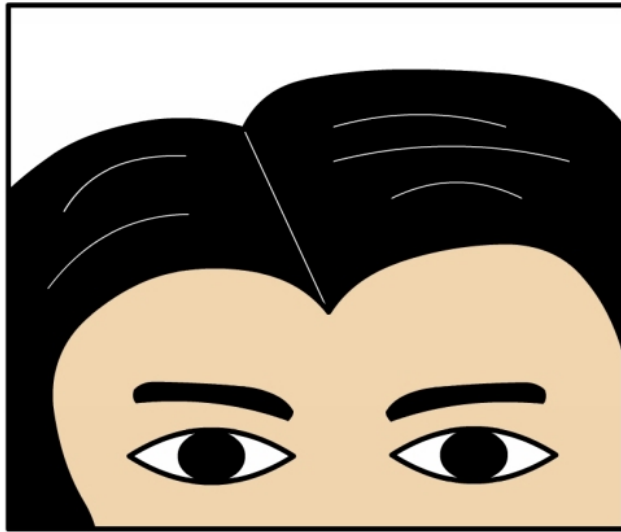
Dominant Example



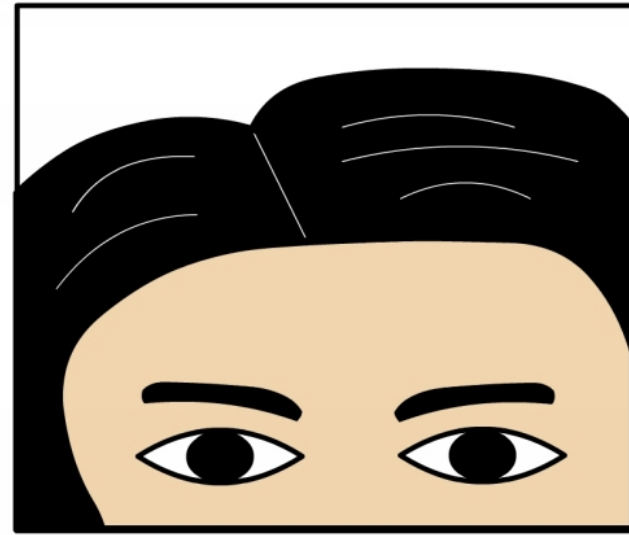
 Affected

Recessive Example- Look at the an unfortunate family with cystic fibrosis



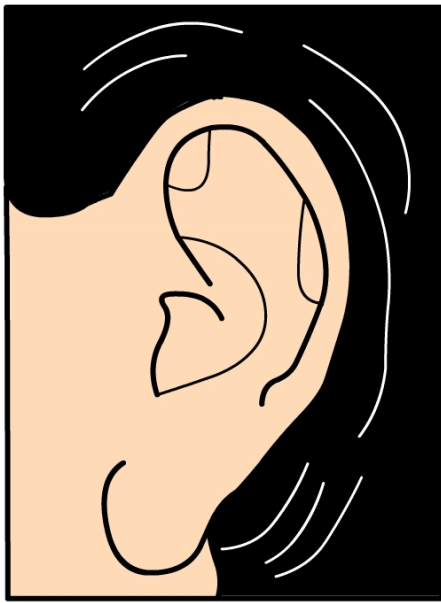


Hairline with Widow's peak



Straight hairline

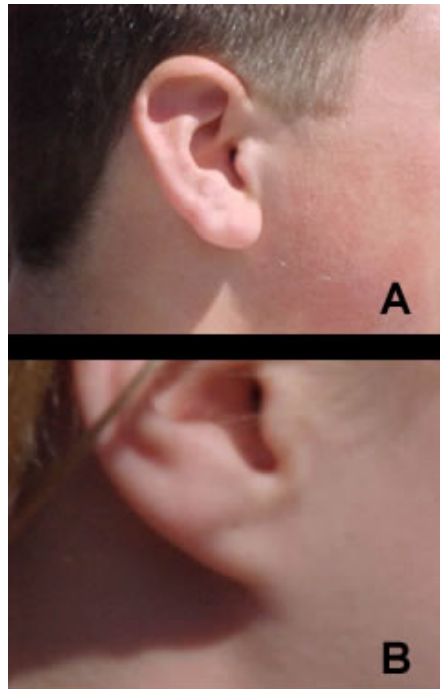




Free ear lobe



Attached ear lobes





Left over right- dominant
Right over left-recessive

Dominant

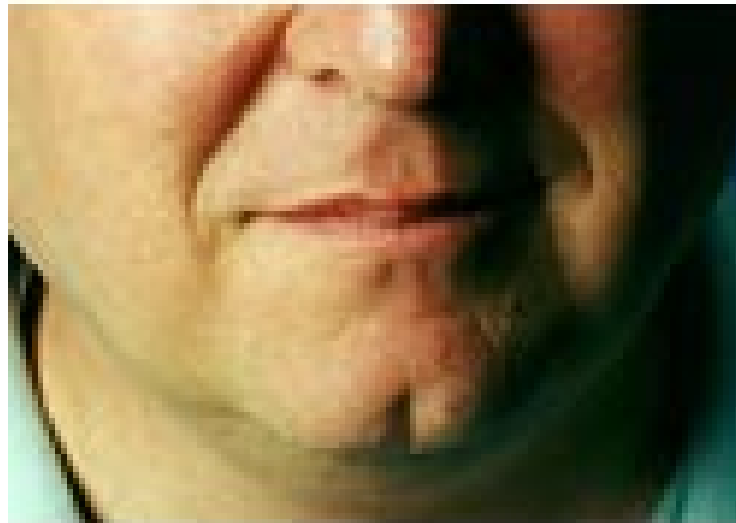




Recessive



Recessive



Dominant



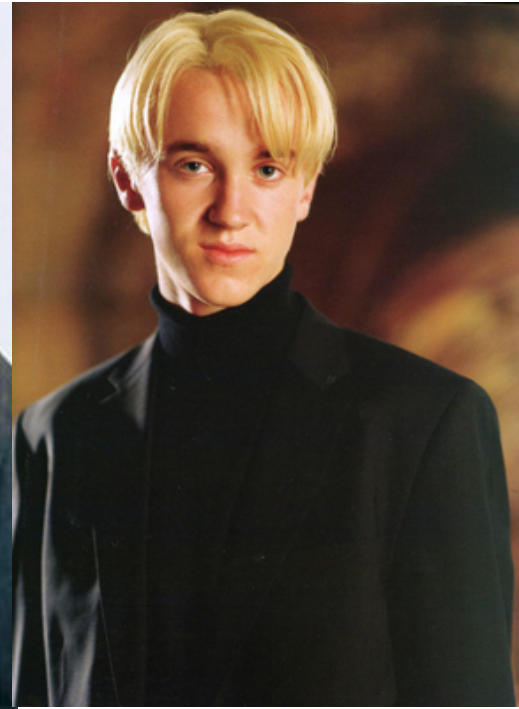
Brown/Black

Dominant



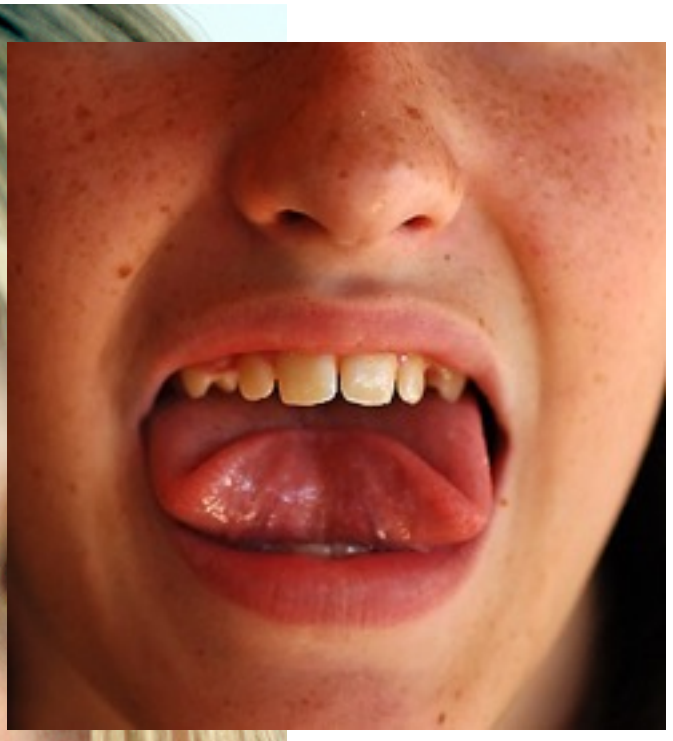
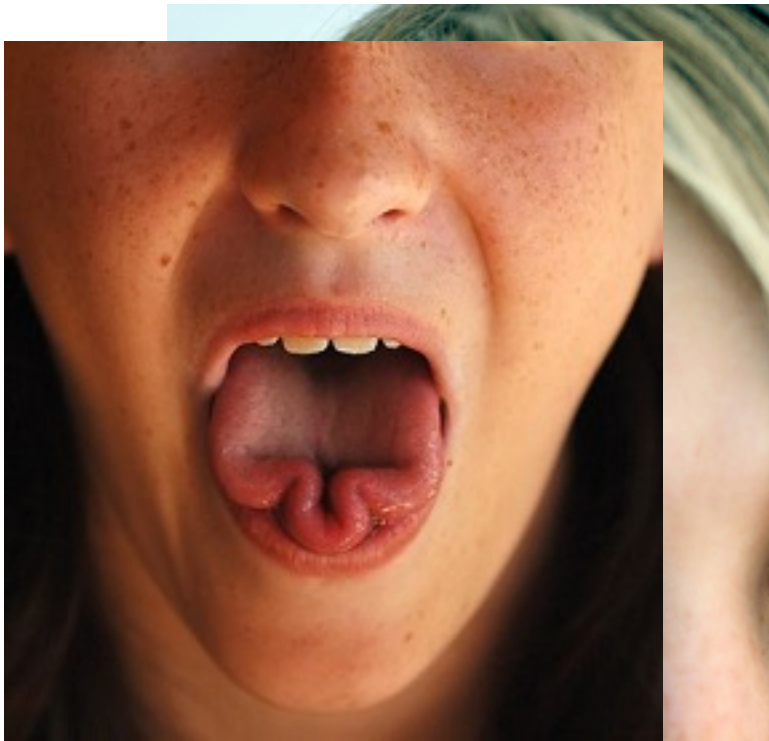
Red

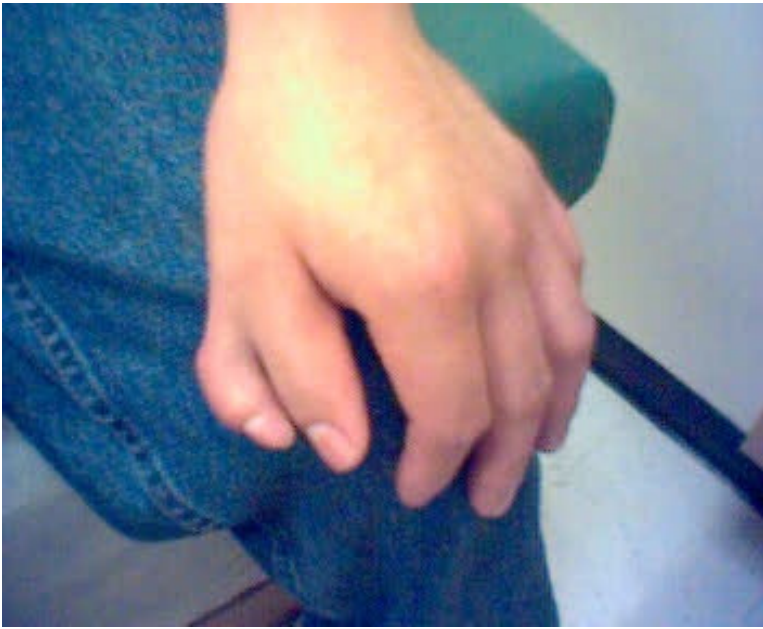
Recessive



Blonde

Recessive





Dominant

Recessive



Blood Types

Dominant= A or B

Recessive= o

